

# Supplemental Information

NO. 1

FOR ALIGNMENT, IF, RF, SEE NUTONE  
SERVICE MANUAL

## REVISED CIRCUIT AND PARTS LIST

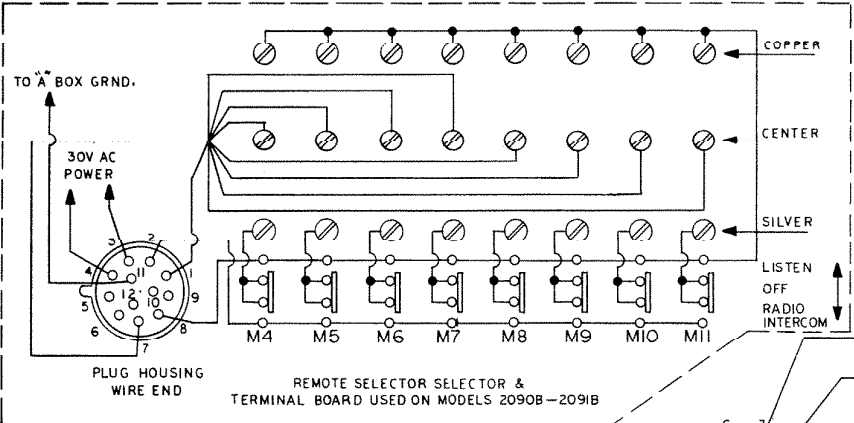
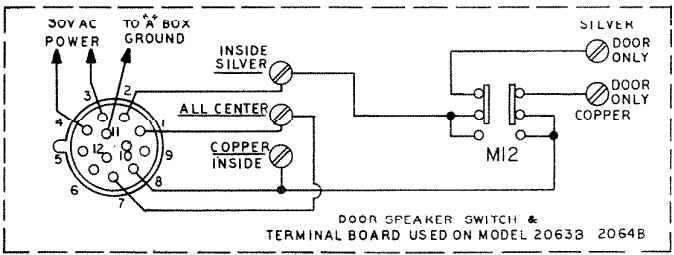
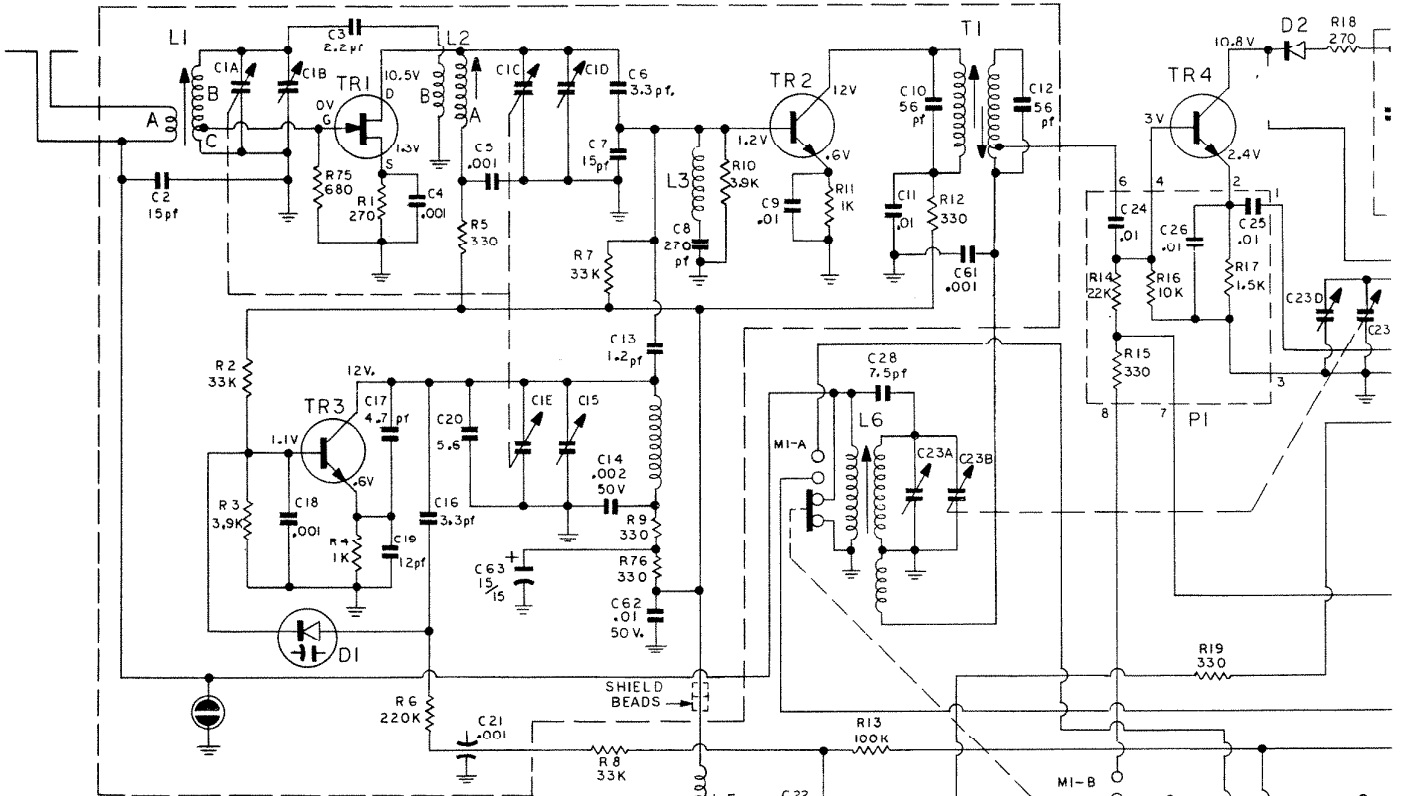
CHASSIS NO. 090 E



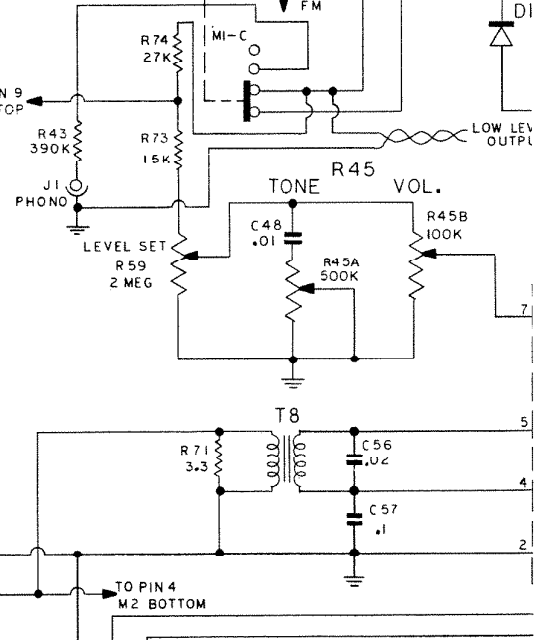
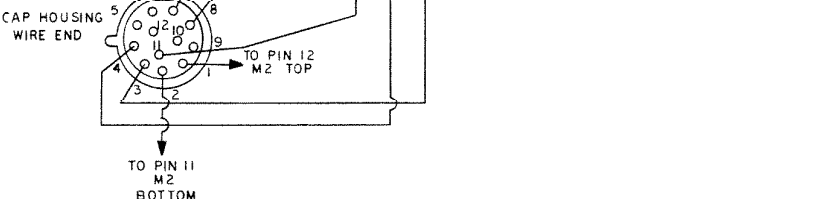
**AM-FM TRANSISTOR RADIO and INTERCOM**

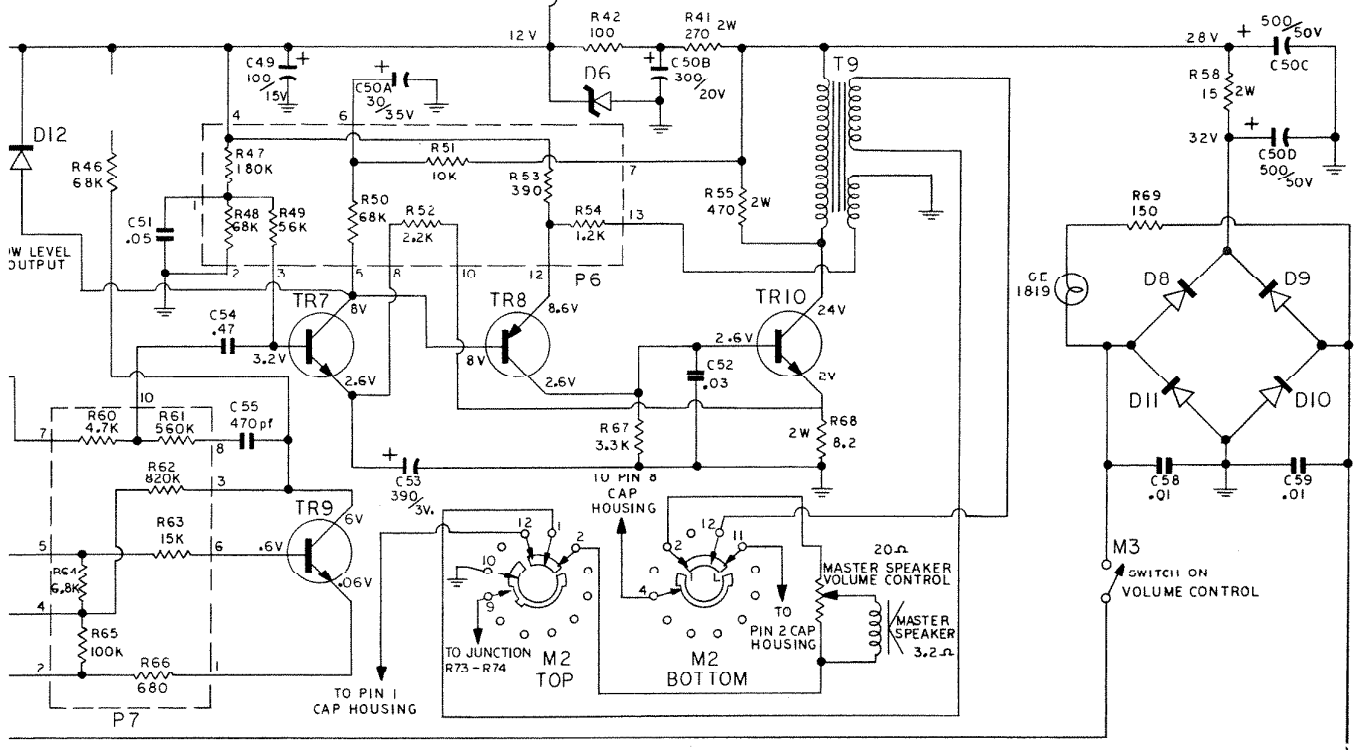
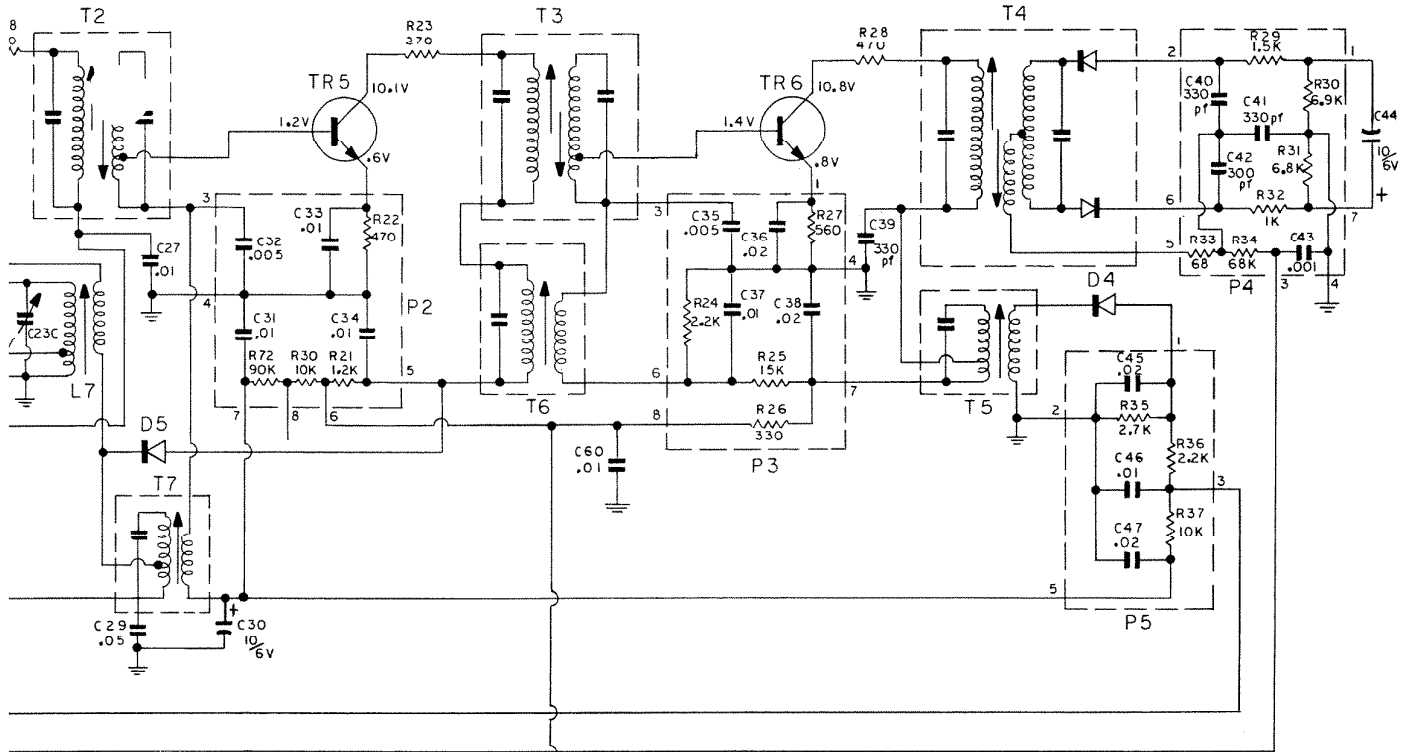
**Models 2063-B, 2064-B, 2090-B, 2091-B**

NuTone



- NOTE:**
1. ALL RESISTORS  $\frac{1}{2}W$ ,  $\pm 10\%$  UNLESS NOTED.
  2. VALUE IN OHMS UNLESS NOTED,  
K=1,000  
MEG 1,000,000
  3. ALL CAPACITORS IN MFD UNLESS NOTED.
  4. D.C. VOLTAGES TAKEN WITH VTVM; SELECTOR IN "FM" POSITION, NO SIGNAL,  
(VOLTAGES MAY NORMALLY VARY  $\pm 10\%$  EXCEPT FOR SOURCE OF TR-1 WHICH MAY VARY -50% TO +100%)





**SCHEMATIC  
CHASSIS NO. 090E**

## REVISED CIRCUIT AND PARTS LIST

The following parts have been changed or added to stabilize FM reception and prevent drift.

### ADD:

| REF.<br>NO. | PART<br>NO. | DESCRIPTION                        |
|-------------|-------------|------------------------------------|
| C-63        | 35068-109   | 15 Mfd. 15V Electrolytic Capacitor |
| R-76        | 33101-331   | 330 Ohm ½ Watt Carbon Resistor     |

### CHANGE:

|      |           |   |
|------|-----------|---|
| C-14 | 35100-141 | .05 Mfd. 50V TO .002 Mfd. 50V—Part #35110-106 |
|------|-----------|---|

The following part has been changed in order to allow the Nutone Model 2603 Record Changer and 2605 8-Track Tape Player to be utilized without any circuit modifications.

### CHANGE:

R-42 FROM 390K Ohms Part #33101-394 TO 68K Ohms Part #33101-683

# NuTone

Madison and Red Bank Roads • Cincinnati, Ohio 45227

Part No. 46215  
Printed in U.S.A.

9-72